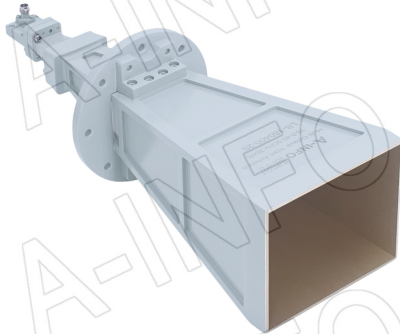


For reference only. See data sheet for the detailed specifications.

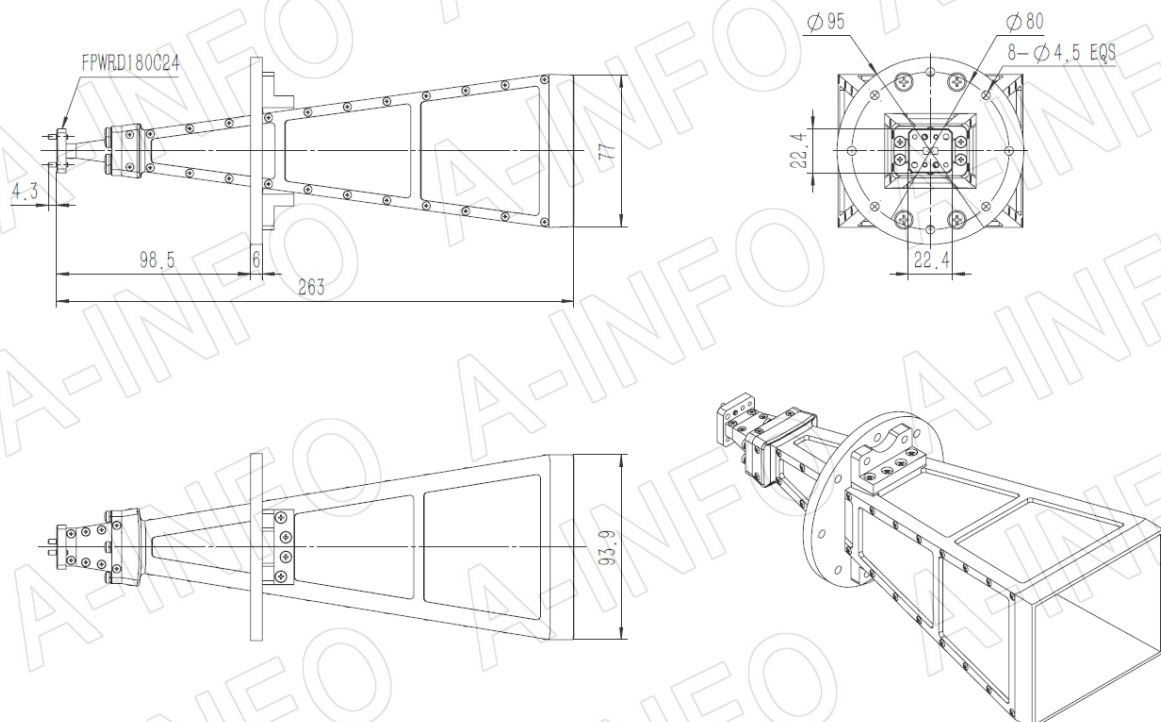
Technical Specification



Frequency Range(GHz)	18.0 – 40.0
Gain(dBi)	25 Typ.
Polarization	Linear
3dB Beamwidth(deg)	E Plane: 12 - 5
	H Plane: 13 - 7
Cross Pol. Isolation(dB)	40 Typ.
VSWR	1.5:1 Typ.
Output	A Type: FPWRD180C24 2.92mm-Female
	C Type: or 2.4mm-Female or 2.92mm-Male
Power Handling(W CW)	2.92mm-Female: 20 Max.
	2.4mm-Female: 10 Max.
	2.92mm-Male: 20 Max.
Material	Cu
Finish	Gold Plated and Chemical Conversion Coating, Gray Paint
Size(mm)	A Type: 95 x 95 x 263
	C Type: 95 x 95 x 289
Net Weight(Kg)	A Type: 0.54 Around
	C Type: 0.58 Around

Outline Drawing (Size: mm)

FPWRD180C24 Output (P/N: LB-180400-25-A)



AINFO Inc.

China(Beijing): Tel: (+86) 10-6266-7326,
China(Chengdu): Tel: (+86) 28-8519-2786,
USA : Tel: (+1) 949-639-9688,

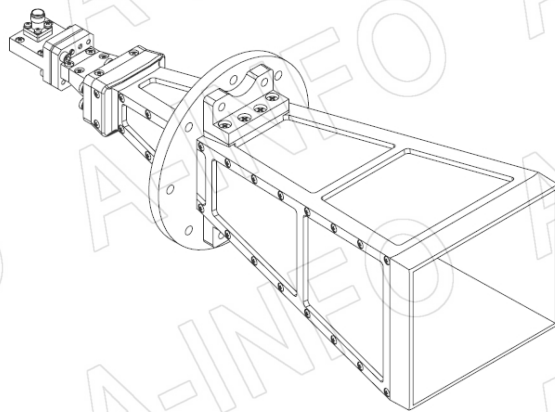
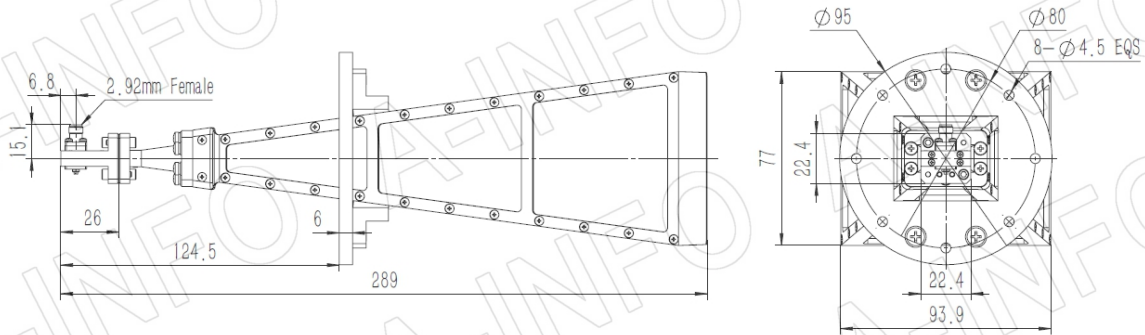
Page 1 of 16

(+86) 10-6266-7327 Fax: (+86) 10-6266-7379
(+86) 28-8519-3044 Fax: (+86) 28-8519-3068
(+1) 949-639-9608 Fax: (+1) 949-639-9670

Website: www.ainfoinc.com
Email: sales@ainfoinc.com

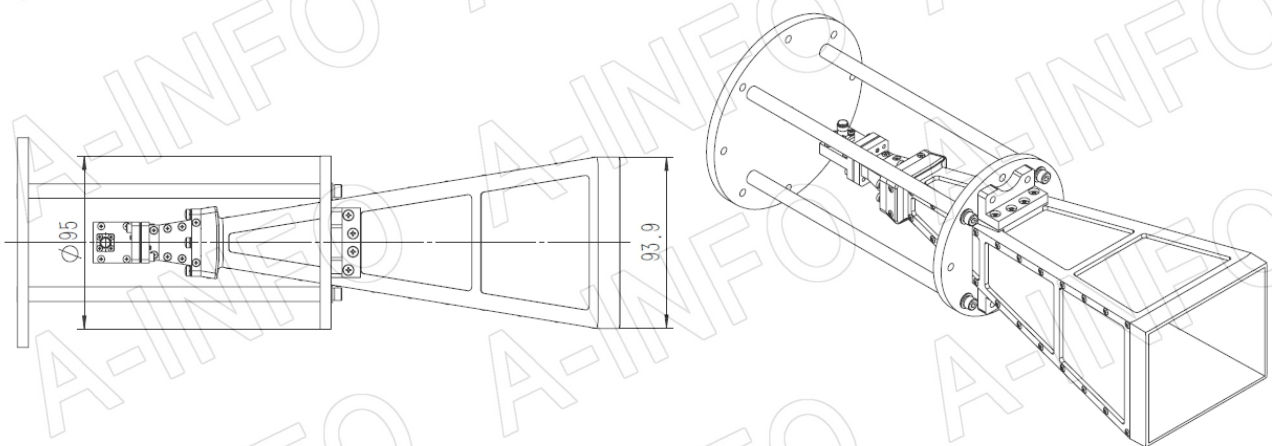
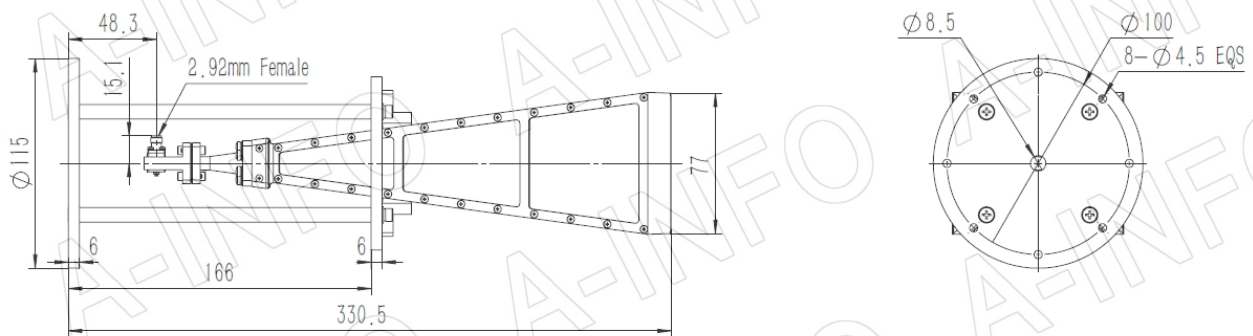
2.92mm-Female Output (P/N: LB-180400-25-C-KF)

For 2.4mm-Female or 2.92mm-Male output outline drawing, please contact A-INFO.



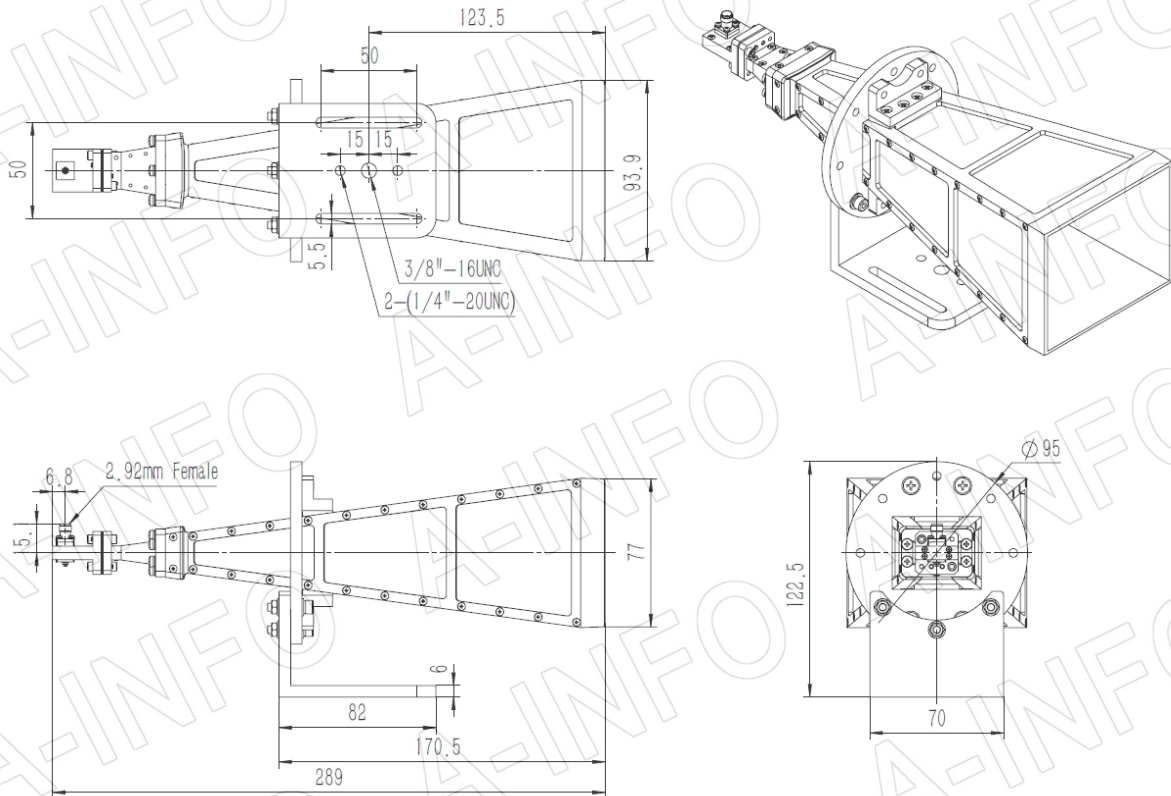
2.92mm-Female Output with Round Mounting Bracket (Option, P/N: LB-180400-25-MB2)

For 2.4mm-Female or 2.92mm-Male output outline drawing, please contact A-INFO.

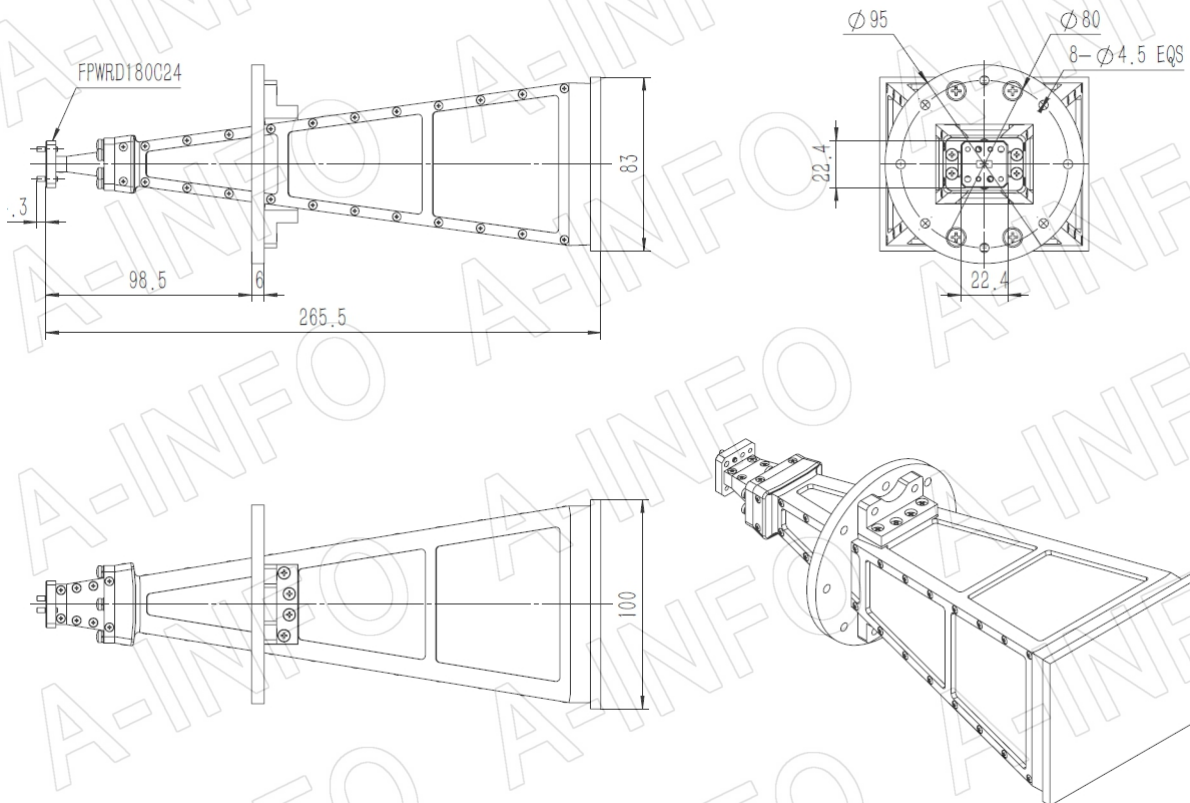


2.92mm-Female Output with L Type Mounting Bracket (Option, P/N:LB-42-25-L2)

For 2.4mm-Female or 2.92mm-Male output outline drawing, please contact A-INFO.

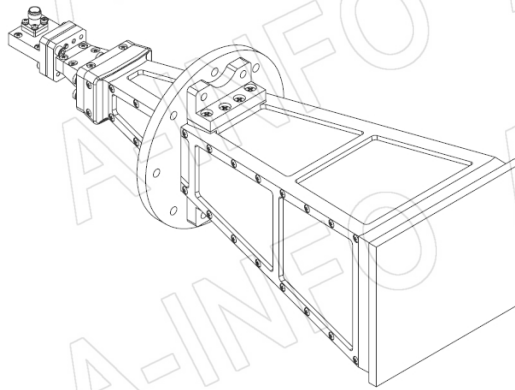
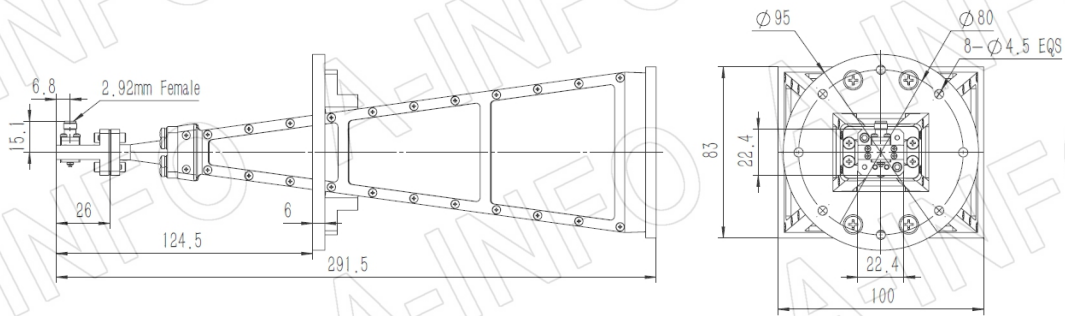


FPWRD180C24 Output with Radome (Option, P/N: LB-180400-25-ASPO, Outdoor Application)



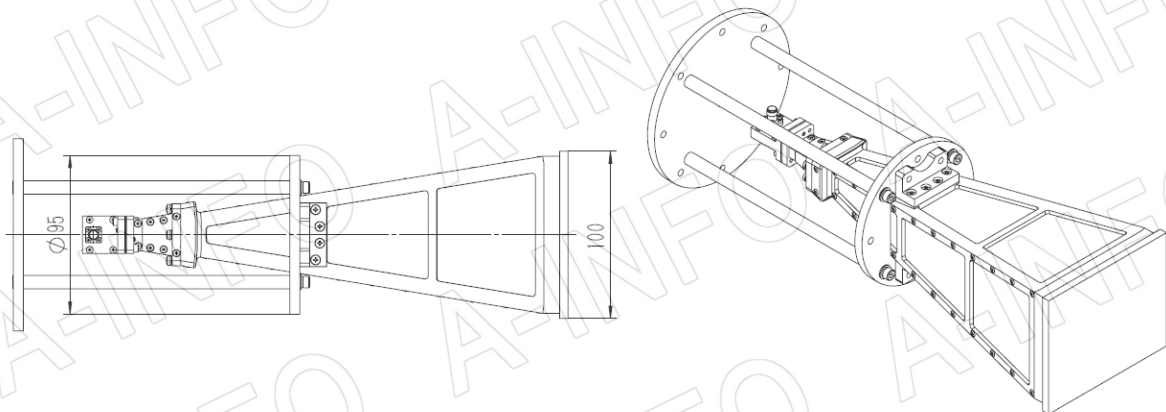
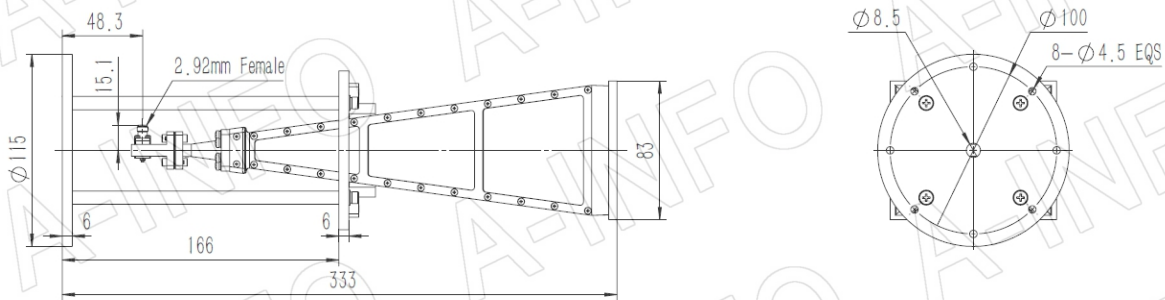
2.92mm-Female Output with Radome (Option, P/N: LB-180400-25-C-KFSP0, Outdoor Application)

For 2.4mm-Female or 2.92mm-Male output outline drawing, please contact A-INFO.



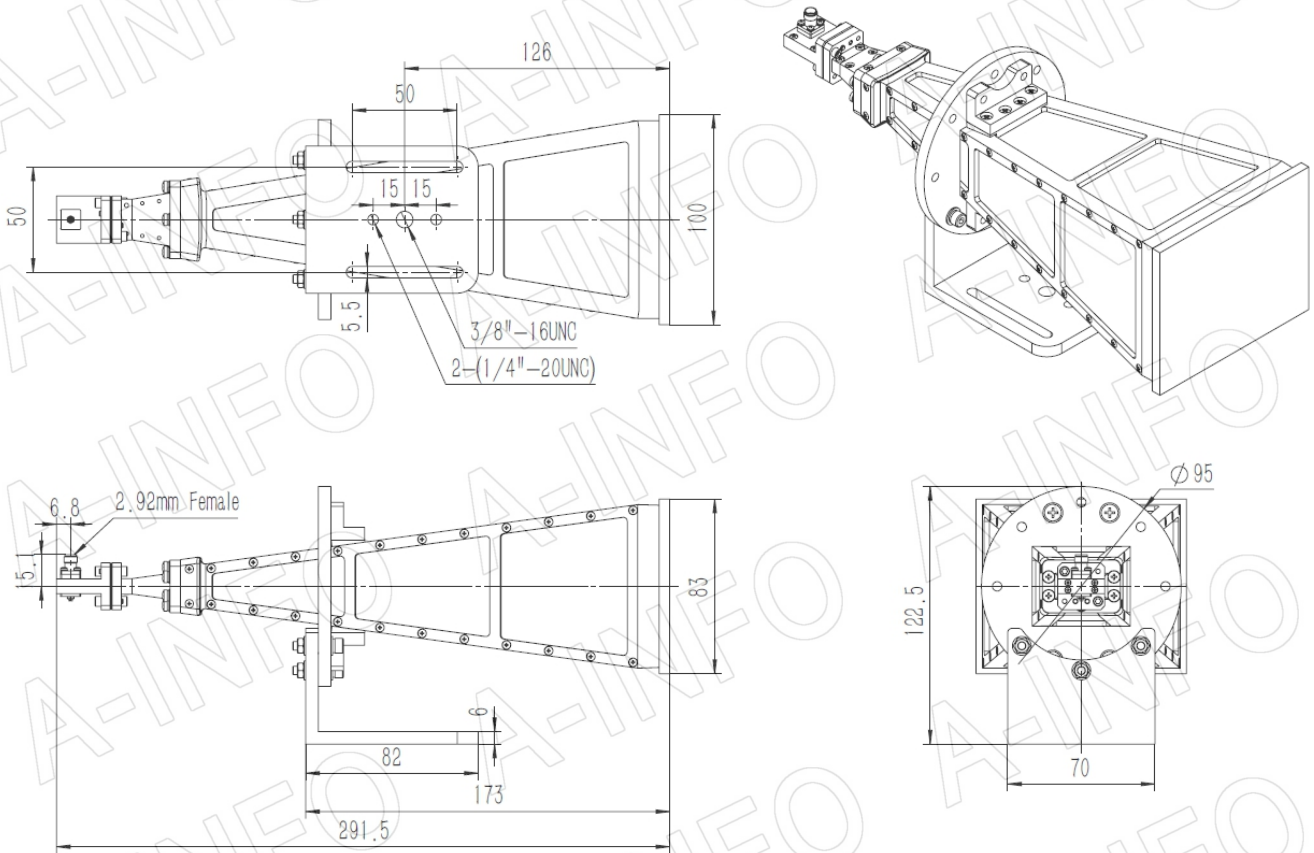
2.92mm-Female Output with Round Mounting Bracket & Radome (Option, P/N: LB-180400-25-MB2 & LB-180400-25-C-KFSP0, Outdoor Application)

For 2.4mm-Female or 2.92mm-Male output outline drawing, please contact A-INFO.



2.92mm-Female Output with L Type Mounting Bracket & Radome (Option, P/N: LB-42-25-L2 & LB-180400-25-C-KFSP0, Outdoor Application)

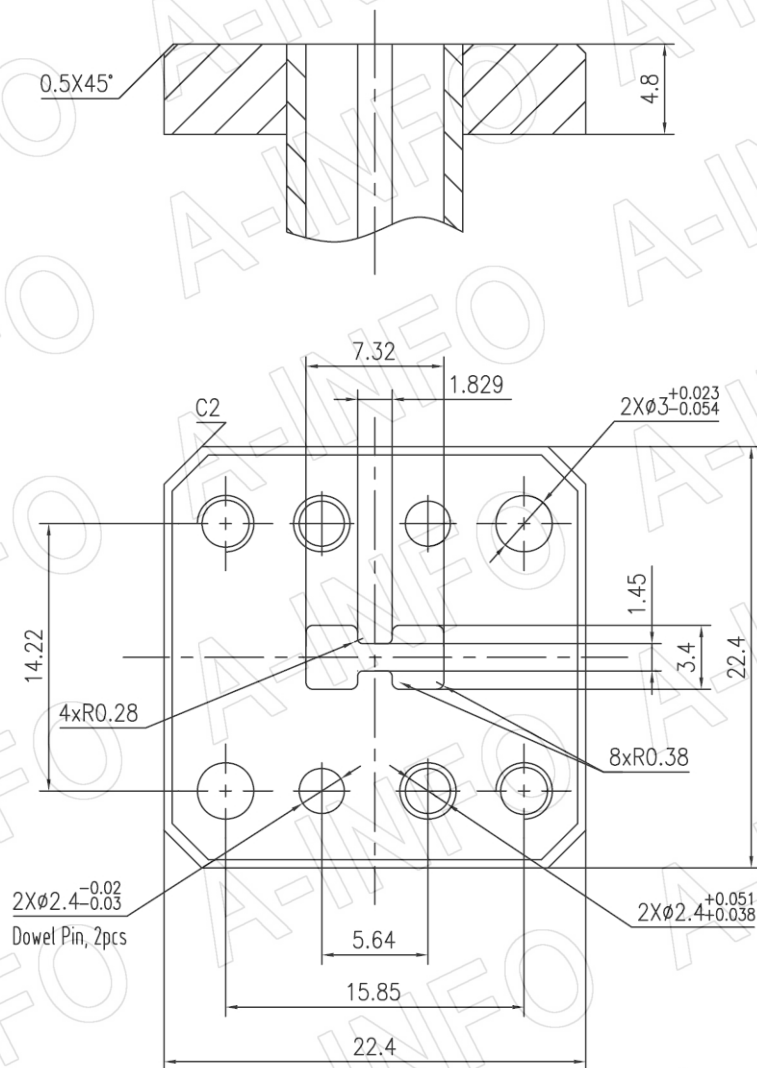
For 2.4mm-Female or 2.92mm-Male output outline drawing, please contact A-INFO.



Flange Drawing (Size: mm)

FPWRD180C24

(With two through mounting holes
and two screws holes)



AINFO Inc.

China(Beijing): Tel: (+86) 10-6266-7326,
China(Chengdu): Tel: (+86) 28-8519-2786,
USA : Tel: (+1) 949-639-9688,

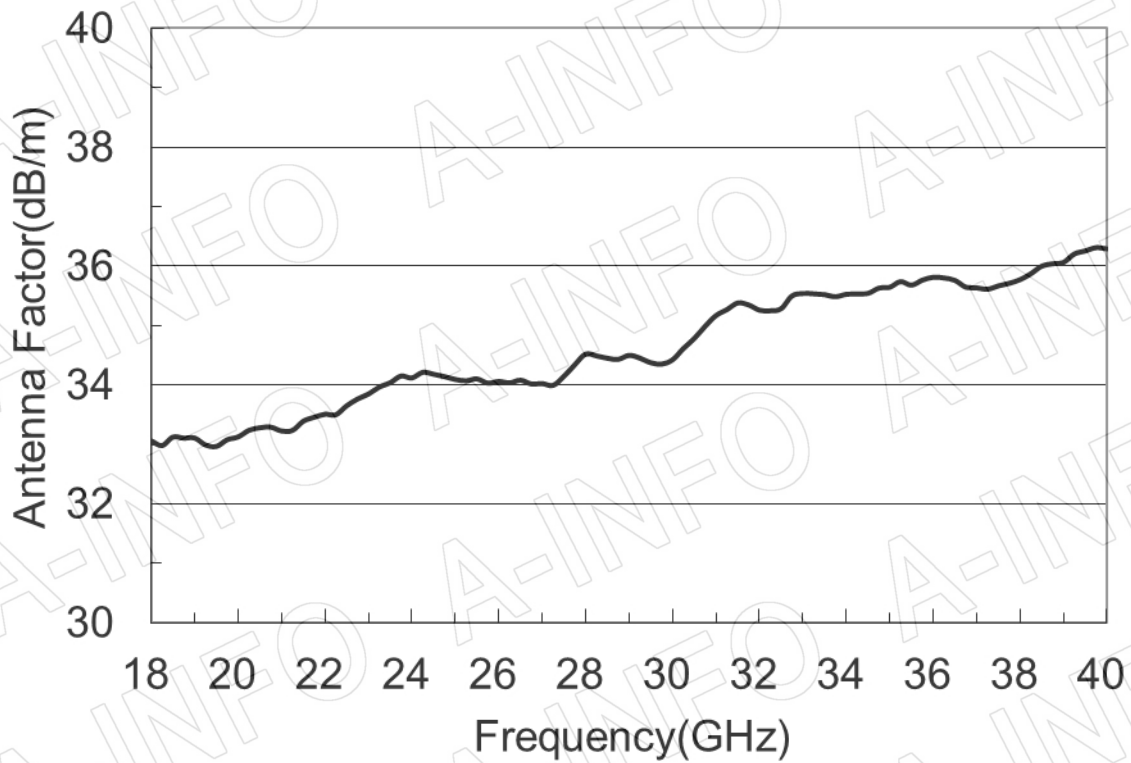
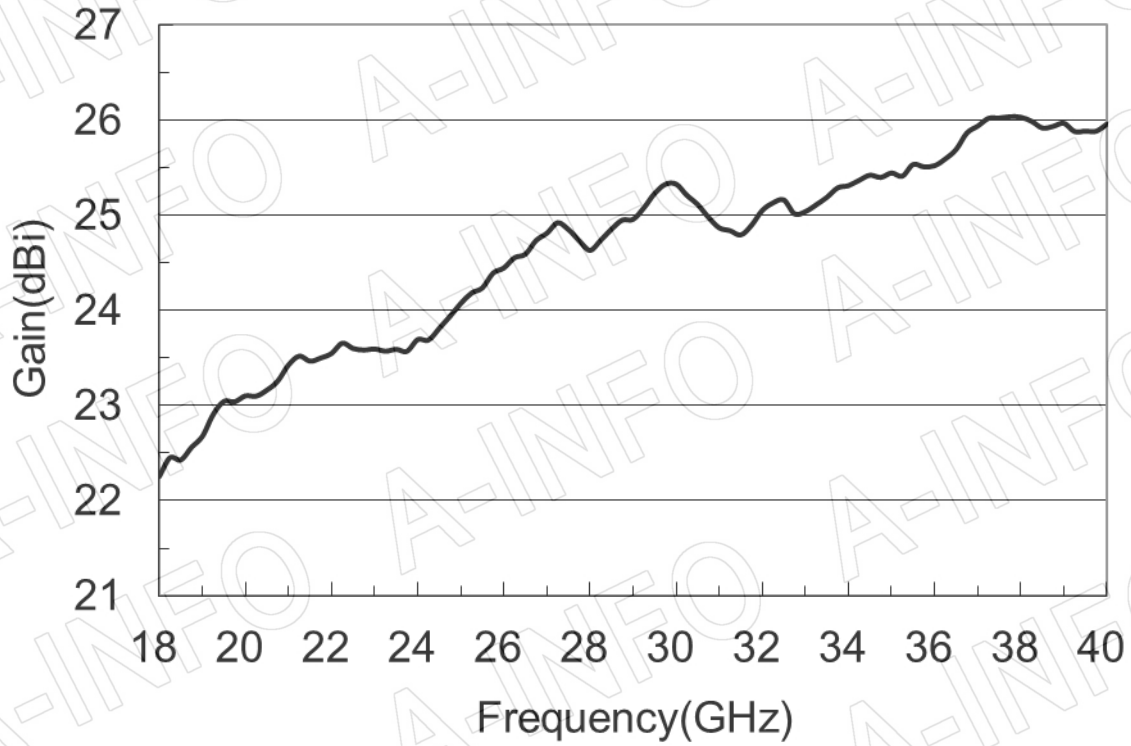
Page 6 of 16

(+86) 10-6266-7327 Fax: (+86) 10-6266-7379
(+86) 28-8519-3044 Fax: (+86) 28-8519-3068
(+1) 949-639-9608 Fax: (+1) 949-639-9670

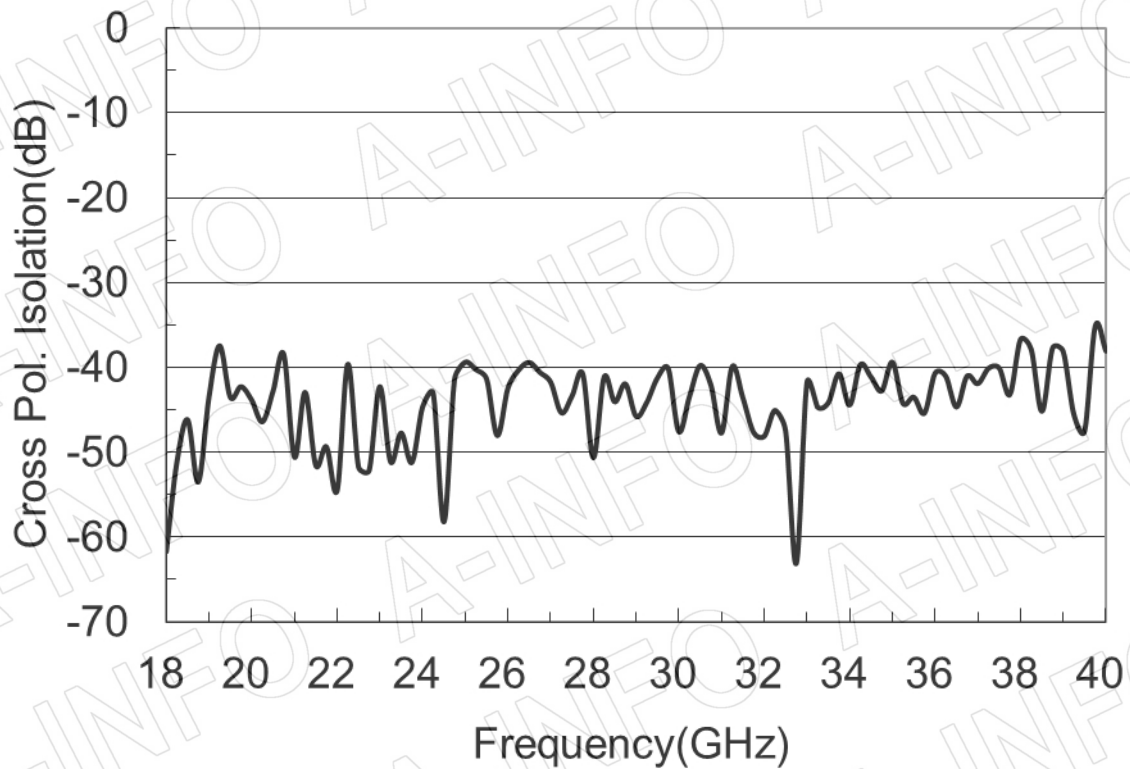
Website: www.ainfoinc.com
Email: sales@ainfoinc.com

Test Results

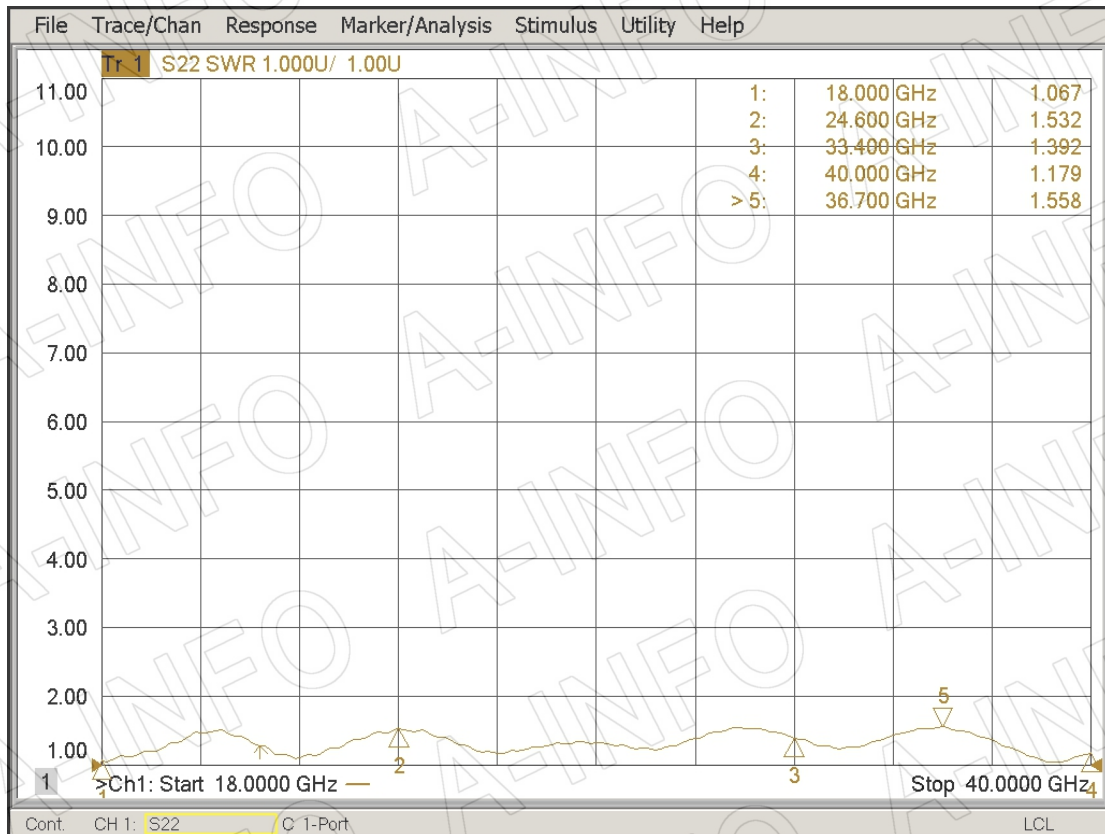
1. Gain & Antenna Factor



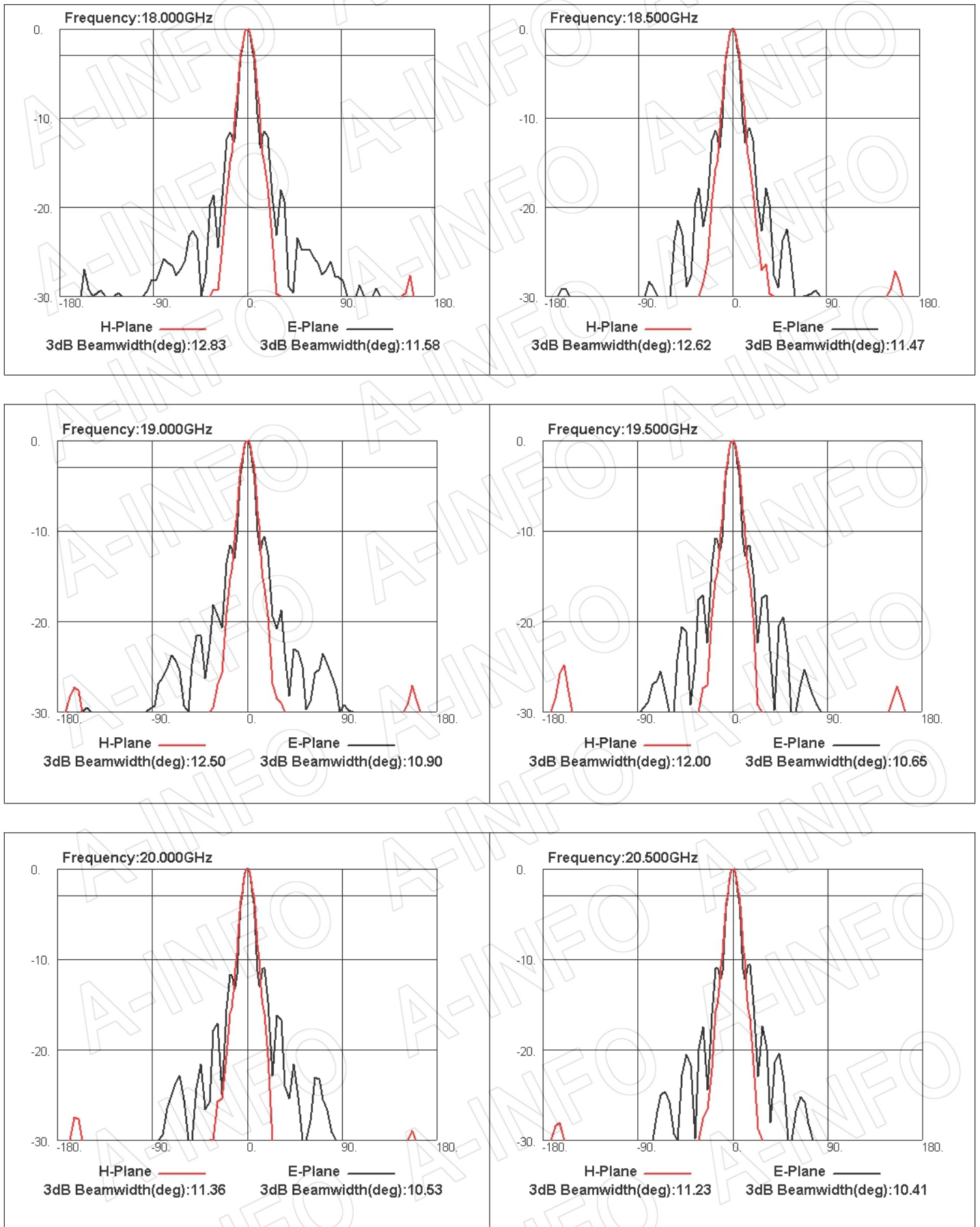
2. Cross Polarization Isolation



3. VSWR



4. Pattern



AINFO Inc.

China(Beijing): Tel: (+86) 10-6266-7326,
China(Chengdu): Tel: (+86) 28-8519-2786,
USA: Tel: (+1) 949-639-9688,

Page 9 of 16

(+86) 10-6266-7327 Fax: (+86) 10-6266-7379
(+86) 28-8519-3044 Fax: (+86) 28-8519-3068
(+1) 949-639-9608 Fax: (+1) 949-639-9670

Website: www.ainfoinc.com
Email: sales@ainfoinc.com

